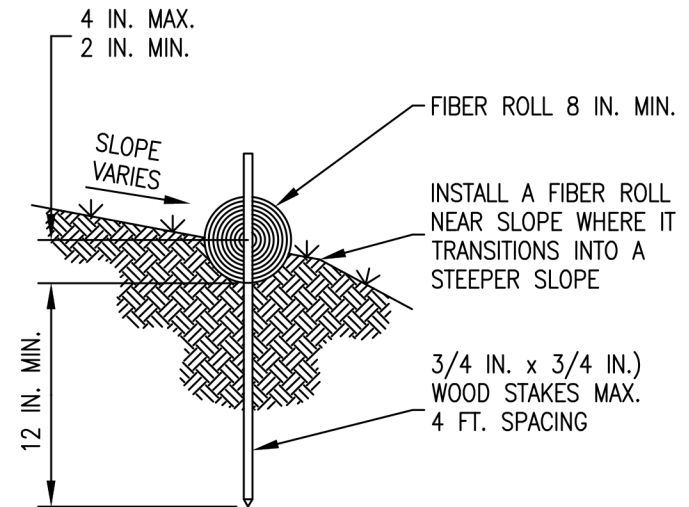


TYPICAL FIBER ROLL INSTALLATION



SECTION A-A

**NOTES:**

- 1.) INSTALL FIBER ROLLS IN A ROW ALONG A LEVEL CONTOUR.
- 2.) AT ENDS OF A ROW TURN THE LAST TWO FEET UP SLOPE SLIGHTLY.
- 3.) FIBER ROLLS SHALL BE OVERLAPED TIGHTLY AT THE JOINTS, NOT ABUTTED.
- 4.) NO PLASTIC NETTING.

**\*SPACING**

- 10' APART FOR SLOPES STEEPER THAN 2:1 (H:V)
- 15' APART FOR SLOPES FROM 2:1 TO 4:1 (H:V)
- 20' APART FOR SLOPES FROM 4:1 TO 10:1 (H:V)
- 50' APART FOR SLOPES FLATTER THAN 10:1 (H:V)

DIRECTOR, DEPARTMENT OF WATER RESOURCES

**COUNTY OF SACRAMENTO**

**FIBER ROLLS**

DRAWN BY: STAFF  
SCALE: NONE  
DATE: 09/2024

**11-4**